

Stainless Steel

IRA



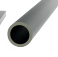
Tested Pressure : 12 bar

Max. Temperature: 95°C

10 years warranty

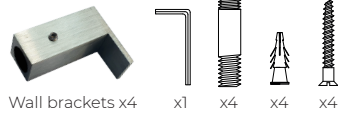
Material : Stainless Steel 304 

Connection : Wall connection G1/2"

Construction : 150x50x2 mm  40x10x1,5 mm  Ø25x3 mm 

Package contents

Assembly parts



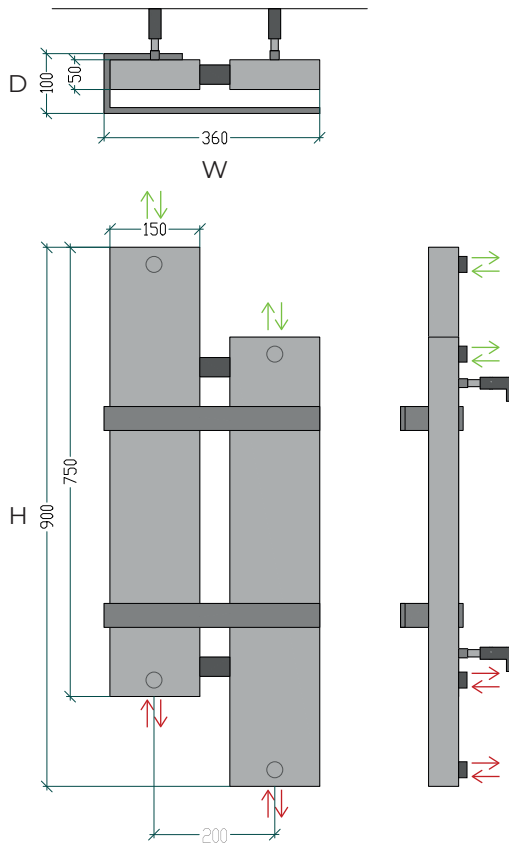
Air vent x2

Air vent cap x2



 inlet/outlet

 air vent



Model Code	Height (H) mm	Width (W) mm	Depth (D) mm	Slice Quantity	Pipe Centers mm	Heat Output ΔT 50°C	
						Watt	Btu
Ira	900	360	100	4	200	154	526

*Can be manufactured in all sizes & slice quantities

*Dimension and position of pipe centers can be customized