

Stainless Steel

N-TYPE

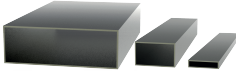
Tested Pressure : 12 bar

Max. Temperature: 95°C

10 years warranty

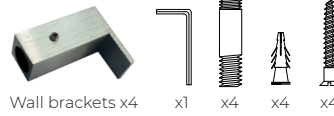
Material : Stainless Steel 304 

Connection : Wall connection G1/2"

Construction : 150x50x2 mm
30x50x1,5 mm
40x10x1,5 mm 

Package contents

Assembly parts



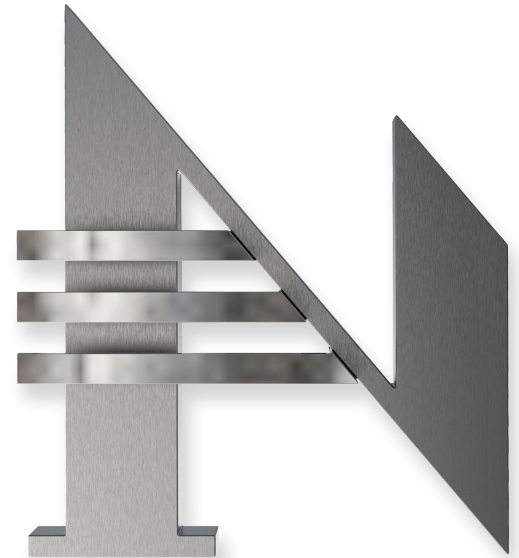
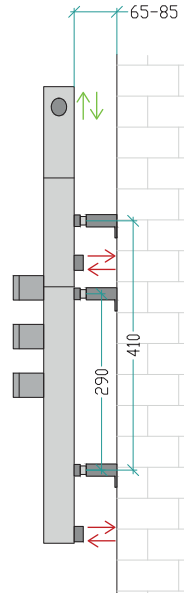
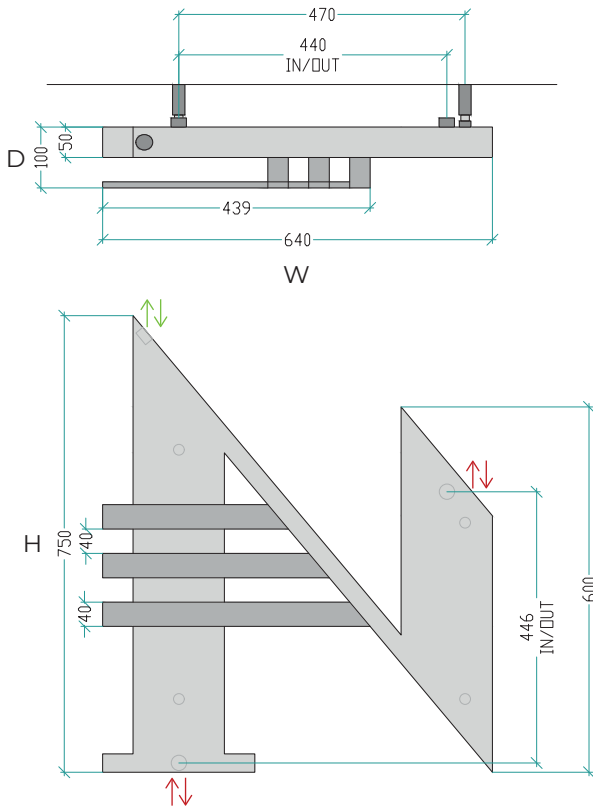
Air vent x1

Air vent cap x1



↔ inlet/outlet

↕ air vent



Model Code	Height (H) mm	Width (W) mm	Depth (D) mm	Slice Quantity	Pipe Centers mm	Heat Output ΔT 50°C	
						Watt	Btu
N-Type	750	640	100	6	440/446	193	660

*Can be manufactured in all sizes & slice quantities

*Dimension and position of pipe centers can be customized