

Stainless Steel

# U1 T/TB



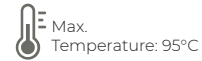
Horizontal



Vertical




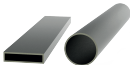
Tested Pressure : 12 bar



Max. Temperature: 95°C

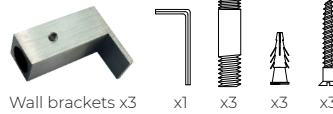


10 years warranty

- Material : Stainless Steel 304 
- Connection : Wall connection G1/2"
- Construction : 40x10x1,5 mm   
 Ø32x2 mm

## Package contents

### Assembly parts

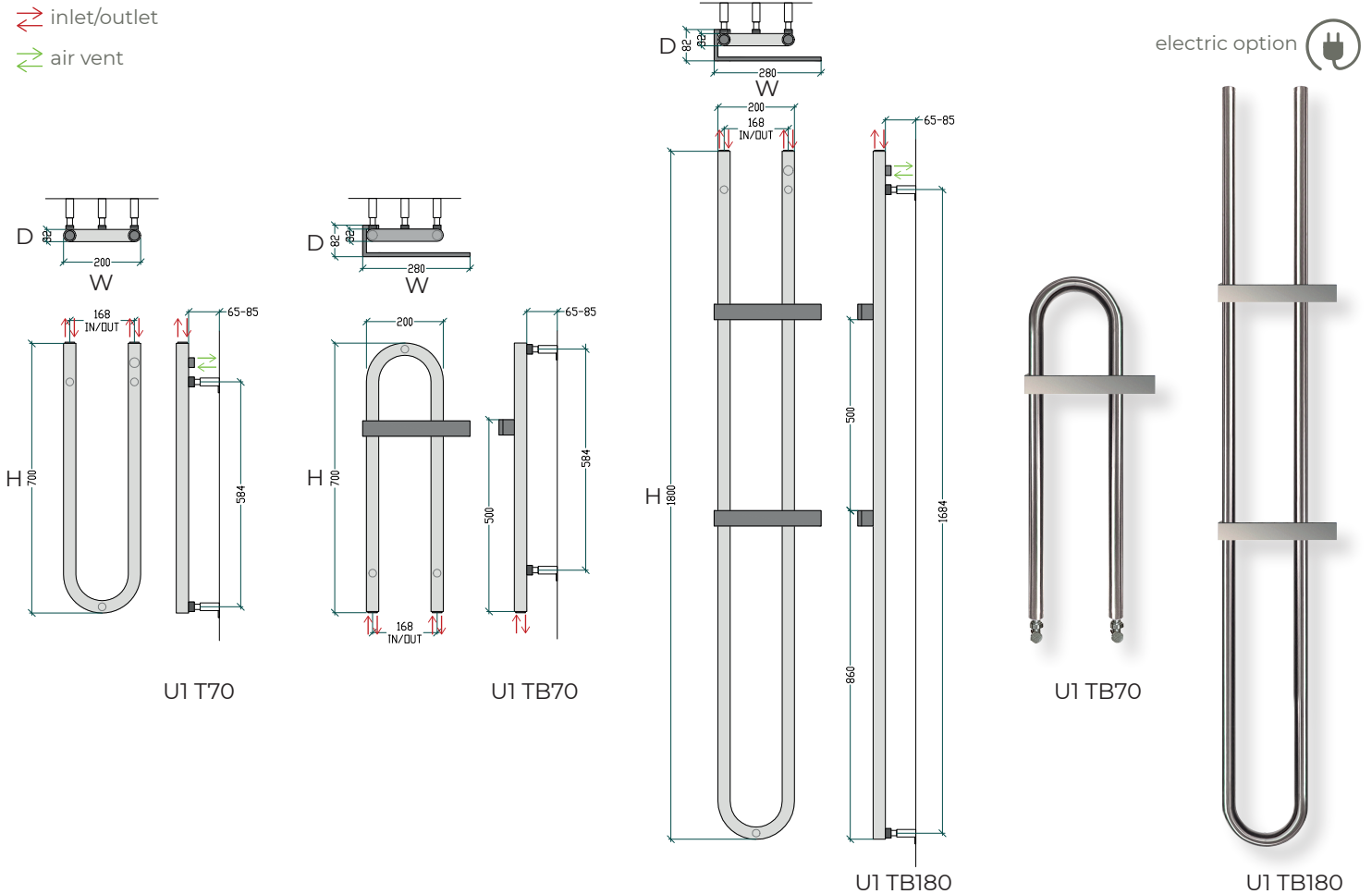


### Air vent x1

### Air vent cap x1



- inlet/outlet
- air vent



Model Code	Height (H) mm	Width (W) mm	Depth (D) mm	Slice Quantity	Pipe Centers mm	Heat Output ΔT 50°C	
						Watt	Btu
U1 T70	700	200	32	2	168	52	176
U1 TB70	700	280	82	3	168	66	225
U1 T180	1800	200	32	2	168	127	432
U1 TB180	1800	280	82	4	168	155	529

\*Can be manufactured in all sizes & slice quantities  
 \*Dimension and position of pipe centers can be customized