

Stainless Steel

# V-TYPE 3


Tested Pressure : 12 bar

Max. Temperature: 95°C

10 years warranty

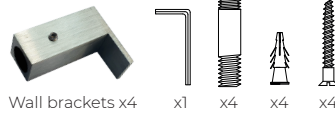
Material : Stainless Steel 304 

Connection : Wall connection G1/2"

Construction : 40x10x1,5 mm  
150x50x2 mm 

## Package contents

Assembly parts



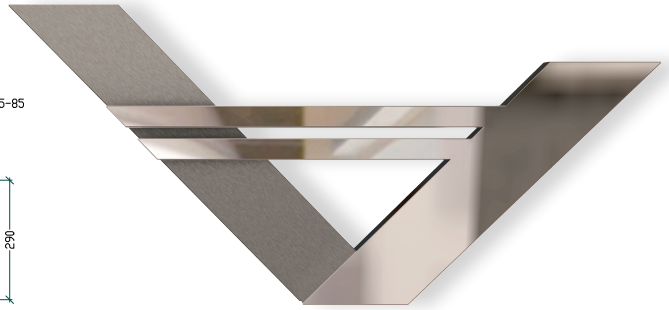
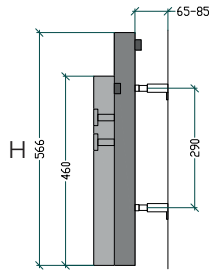
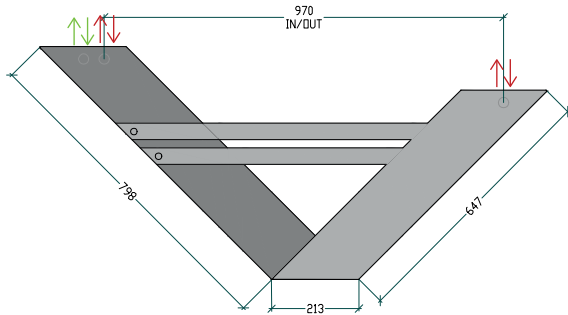
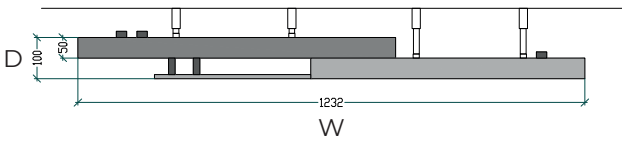
Air vent x1

Air vent cap x1



 inlet/outlet

 air vent



Model Code	Height (H) mm	Width (W) mm	Depth (D) mm	Slice Quantity	Pipe Centers mm	Heat Output $\Delta T$ 50°C	
						Watt	Btu
V-Type 3	566	1232	100	4	970	185	631

\*Can be manufactured in all sizes & slice quantities

\*Dimension and position of pipe centers can be customized